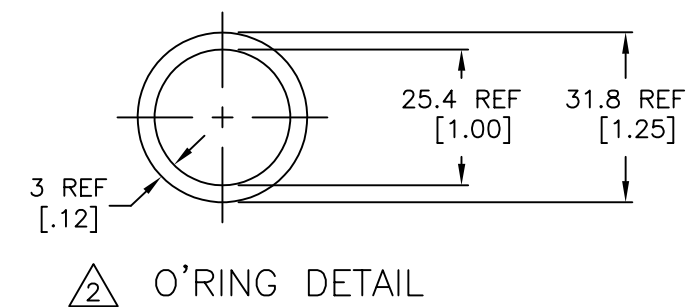
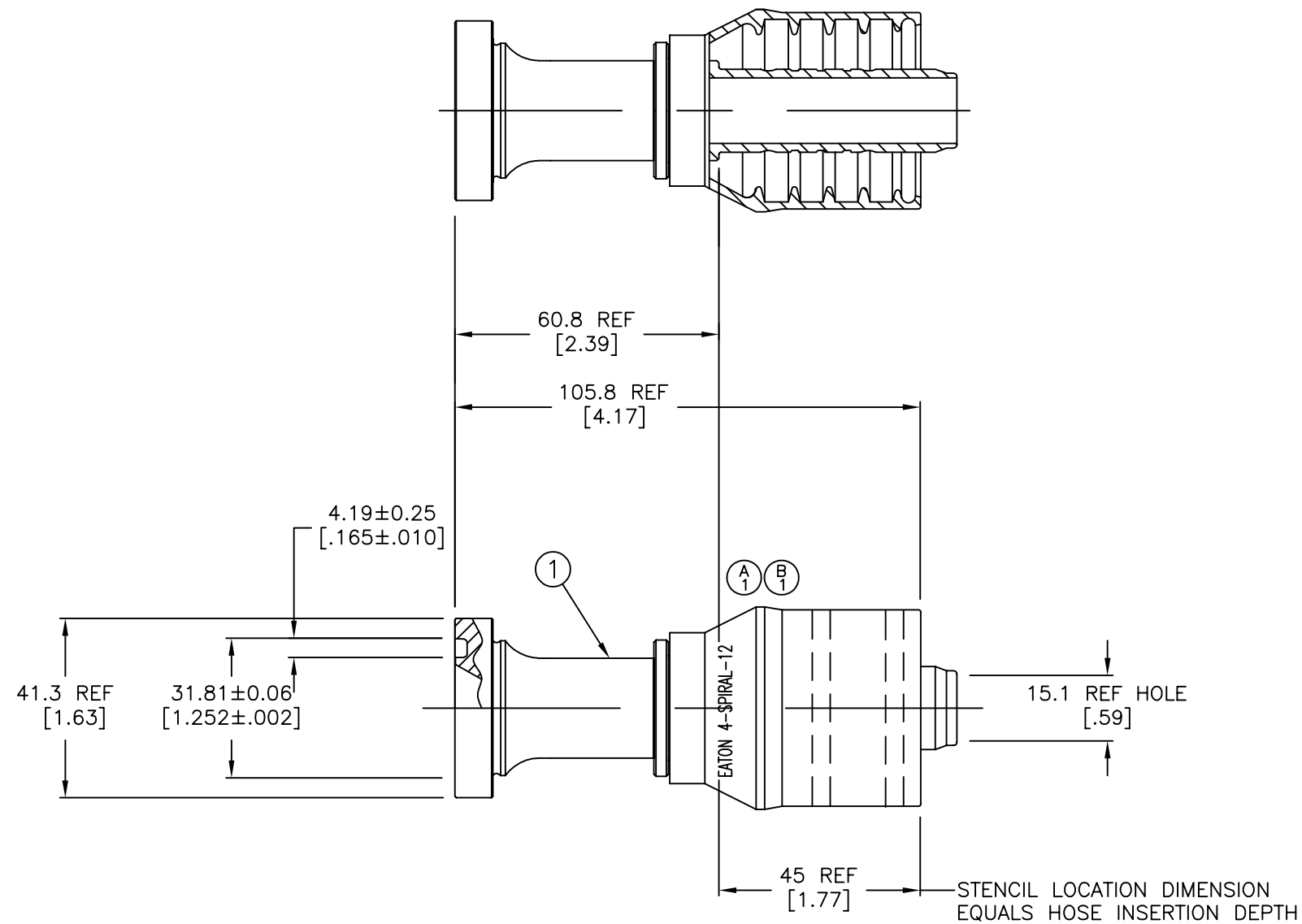


REVISIONS			
REV	DESCRIPTION	DATE	APPROVED
A	1)"4-SPIRAL-12" WAS "INSERTION DEPTH"	2006-05-09 RHJ/SRH	EN-F30063
B	1)"EATON 4-SPIRAL-12" WAS "4-SPIRAL-12"	2009-03-17 AGV/KBM	0028786- ECO



METRIC

2. O-RING SHOWN FOR REFERENCE ONLY. SUPPLIED BUT NOT FURNISHED WITH ASSEMBLY.  
1. DIMENSIONS ARE IN MILLIMETERS [INCH].

1E12FH12	1E12FH12				
PART NUMBER	① FITTING				
LIST OF MATERIALS					
ITEM NO.	MATERIAL	DRAWN	HYDRAULICS OPERATIONS		
1	STEEL	A. HISS	TECHNICAL CENTER		
		CHECKED	MAUMEE, OHIO, U.S.A.		
		B. THOMAS	DRAWING TITLE		
		APPROVED	FITTING ASSEMBLY		
		B. THOMAS	SPLIT FLANGE TYPE (CODE 62)		
		RELEASE DATE	4 WIRE SPIRAL HOSE		
		2003-11-10	SIZE	DRAWING NUMBER	REV
		EN-F25129	A2	1E12FH12	B
		DP-1537	SCALE	DIST	CAGE CODE
		THIRD ANGLE PROJECTION	1:1	U	01276
					SHEET
					2
<small>CONFIDENTIAL AND PROPRIETARY NOTICE TO PERSONS RECEIVING THIS DRAWING AND/OR TECHNICAL INFORMATION: THIS DOCUMENT, INCLUDING THE DRAWING AND INFORMATION CONTAINED THEREON, IS CONFIDENTIAL AND IS THE EXCLUSIVE PROPERTY OF EATON CORPORATION, MERELY ON LEASE AND SUBJECT TO RECALL BY EATON AT ANY TIME. BY TAKING POSSESSION OF THIS DOCUMENT, THE RECIPIENT ACKNOWLEDGES AND AGREES THAT THIS DOCUMENT CANNOT BE USED IN ANY MANNER ADVERSE TO THE INTERESTS OF EATON AND THAT NO PORTION OF THIS DRAWING MAY BE COPIED OR OTHERWISE REPRODUCED WITHOUT THE PRIOR WRITTEN CONSENT OF EATON. IN THE CASE OF CONFLICTING CONTRACTUAL PROVISIONS, THIS NOTICE SHALL GOVERN THE STATUS OF THIS DOCUMENT. © 2008 Eaton Corporation - All Rights Reserved.</small>					

REV. B  
SH. 2  
DWG. NO. 1E12FH12